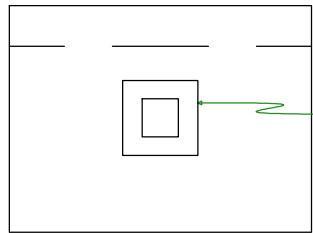
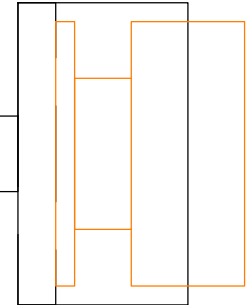


Note: Distance (a) required to adjust reading of depth from surface. Distance (b) for depth to vessel bottom.

Mount depth sounder leg so that its front is behind the leading edge of the pontoons. This assists in protecting the depth sounder when mooring against a bank or wharf.

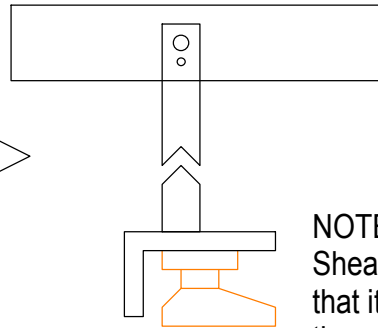
Box Section Post to hold Sensor Head



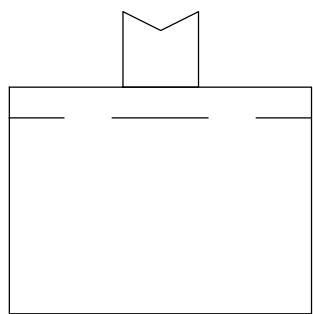
Square tube welded onto the plate

Bracket Top View

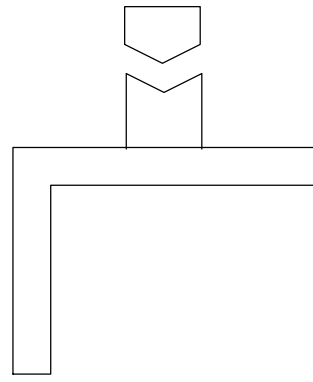
Water Flow



NOTE: Dimensions to suit houseboat and depth sounder. Shear bolt is a much lower gauge than the fixing bolt so that it will shear first on impact. The bar will swing out of the way hinged on the fixing bolt.



Bracket Front View



Bracket Side View

TITLE

Depth Sounder Mounting Bracket

SIZE

A4

CAGE CODE

DWG NO

BRIGADOON-001

REV

1

SCALE

SHEET

1 of 1